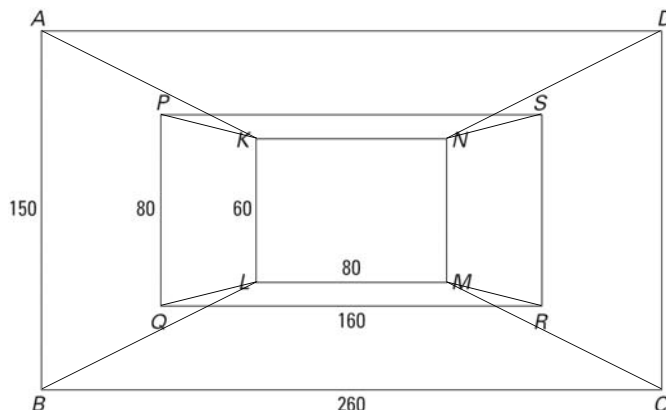


Eindexamen wiskunde B1-2 havo 2005-I

© havovwo.nl

Uitkijktoren

10.

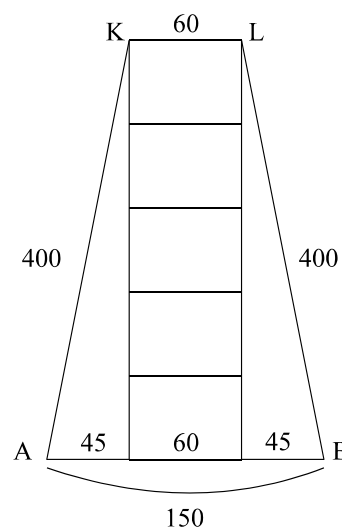


11. $\text{Lengte} = \sqrt{400^2 - 45^2} = 397,46$ dus 397 cm

12. $BL' = \sqrt{45^2 + 90^2}$

dus $\cos \angle B = \frac{\sqrt{45^2 + 90^2}}{400}$

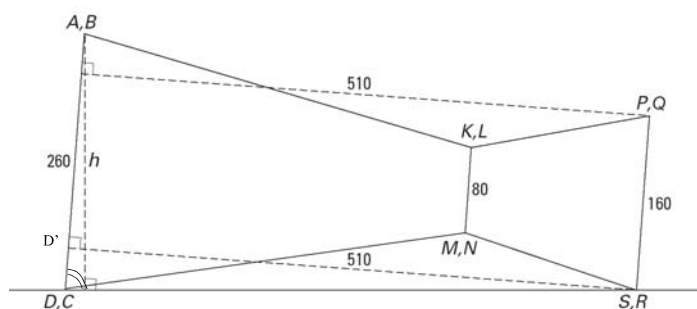
$B = \cos^{-1}\left(\frac{\sqrt{45^2 + 90^2}}{400}\right) = 75,43^\circ$ (GR op graden !)



13. De afstand $DD' = 50$

dus $\tan \angle D'Ds = \frac{510}{50}$

dus $h = D'S = 260 \cdot \sin \angle D'DS$



$h = 260 \sin(\tan^{-1}(\frac{510}{50})) = 258,758 = 259$ cm